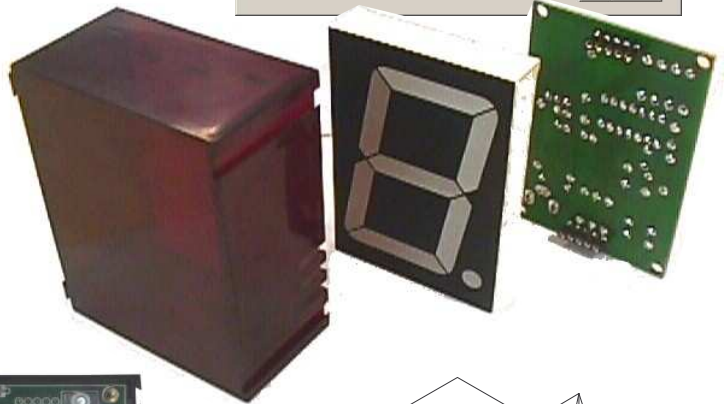
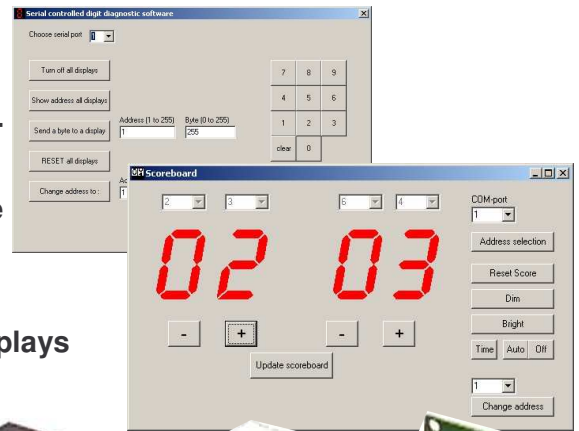




K8063 Modular digit with serial interface (2pcs per package)

- ☑ Bright 57mm Jumbo red 7-segment displays
- ☑ Complete with snap-in enclosure
- ☑ Multiple units can be linked in an easy way to create larger readouts for e.g. score-keeping, timing, counting, ...
- ☑ Easy platform-independent control via RS232 three-wire interface
- ☑ Up to 255 units can be separately addressed
- ☑ Tested with distances of up to 50m between PC and displays
- ☑ Download free sample software from our web site
- ☑ For USB connection use our optional PCUSB6

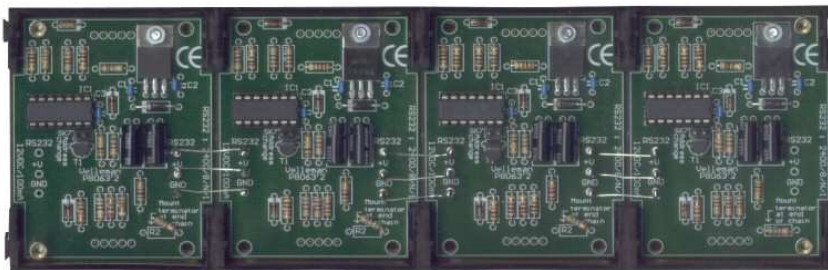


Power supply:

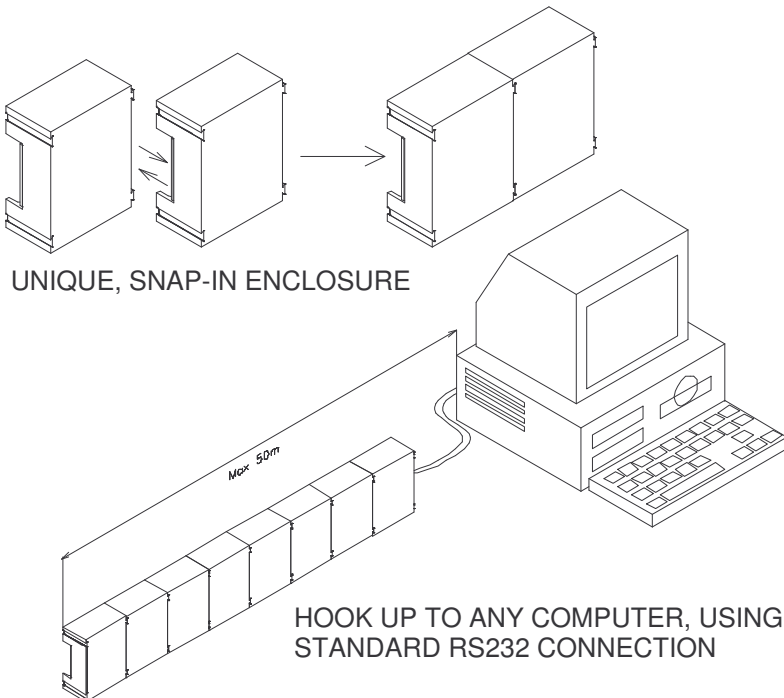
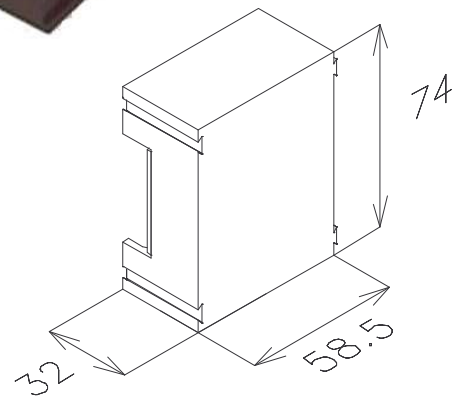
9 to 12Vdc / 120mA per display

RS232 interface:

2400baud / 8databits / no parity / 1 stop bit



4 units mounted together (back side)



UNIQUE, SNAP-IN ENCLOSURE

HOOK UP TO ANY COMPUTER, USING STANDARD RS232 CONNECTION



Application examples



Score keeping



Clocks, Timers & Indicators

