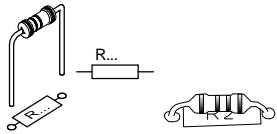


START

1

Resistor - Weerstand - Résistance - Widerstand - Resistencia - Motstand - Vastus - Resistenze



- ◇ R1:2K2
- ◇ R2:2K2

(Red, Red, Red) -(Rood, Rood, Rood)-(Rouge, Rouge, Rouge)
(Rot, Rot, Rot) -(Röd, Röd, Röd)-(Punainen, Punainen, Punainen)
(Rojo, Rojo, Rojo)-(Encarnado, Encarnado, Encarnado)-(Rosso, Rosso, Rosso)

- ◇ R3,R4:1K2
- ◇ R5,R6:1K2
- ◇ R7,R8:1K2
- ◇ R9:1K2

(Brown, Red, Red) -(Bruin, Rood, Rood) -(Brun, Rouge, Rouge) -
(Braun, Rot, Rot) - (Brun, Röd, Röd) -(Ruskea, Punainen, Punainen) -(Marrón, Rojo, Rojo) -(Castanho, Encarnado, Encarnado) -(Marrone, Rosso, Rosso)

- ◇ R10:470

(Yellow, Purple, Brown) -(Geel, Paars, Bruin) -(Jaune, Violet, Brun) -(Gelb, Violet, Braun) -(Gul, Lila, Brun) -(Keltainen, Purppura, Ruskea) -(Amarillo, Morado, Marrón) -(Amarelo, Violeta, Castanho) -(Giallo, Viola, Marrone)

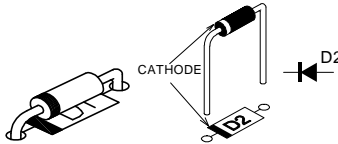
- ◇ R11,R12: 100K
- ◇ R13,R14,R15: 100K

(Brown, Black, Yellow) -(Bruin, zwart, Geel) -(Brun, noir, Jaune) -(Braun, Schwarz, Gelb) -(Brun, Svart, Gul) -(Ruskea, Musta, Keltainen) -(Marrón, Negro, Amarillo) -(Castanho, Preto, Amarelo) -(Marrone, Nero, Giallo)

2

DIODE

- ◇ D1: 1N4148
- ◇ D2: 1N4007

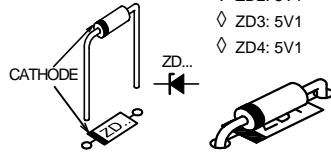


Watch the polarity!
Att. à la polarité!

3

ZENER - DIODE

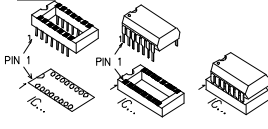
- ◇ ZD1: 5V1
- ◇ ZD2: 5V1
- ◇ ZD3: 5V1
- ◇ ZD4: 5V1



Watch the polarity!
Att. à la polarité!

4

IC SOCKET & IC

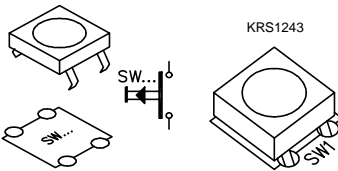


- ◇ IC1: 14P socket
- ◇ IC1: 121PAL or 121TSC
(= programmed PIC16C505)

5

PUSH BUTTONS

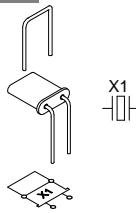
- ◇ SW1
- ◇ SW2
- ◇ SW3
- ◇ SW4
- ◇ SW5



6

QUARTZ CRISTAL

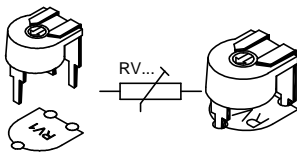
- ◇ X1: 10MHz.



7

TRIMPOTENTIOMETER

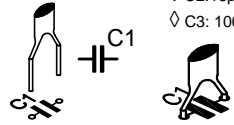
- ◇ RV1: 1K



8

CAPACITORS

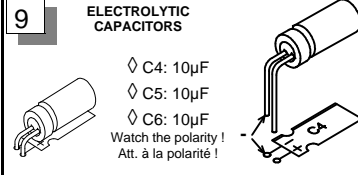
- ◇ C1:18pF (18)
- ◇ C2:18pF (18)
- ◇ C3: 100nF (104)



9

ELECTROLYTIC CAPACITORS

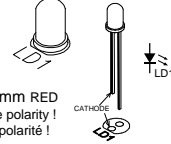
- ◇ C4: 10µF
 - ◇ C5: 10µF
 - ◇ C6: 10µF
- Watch the polarity!
Att. à la polarité!



10

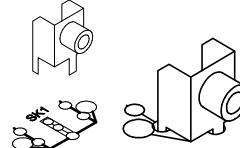
LED

- ◇ LD1:3mm RED
- Watch the polarity!
Att. à la polarité!



11

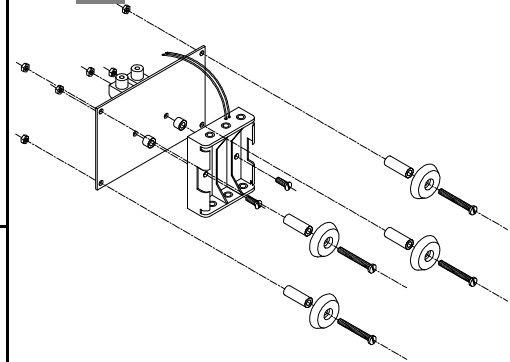
CINCH CONNECTORS



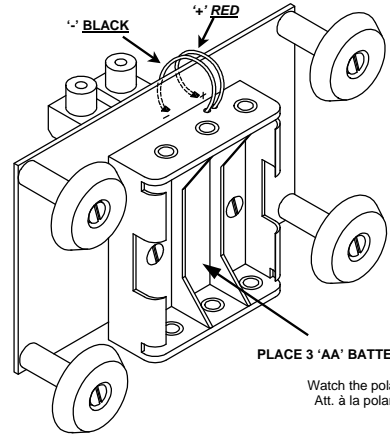
- ◇ SK1: AUDIO OUT
- ◇ SK2: VIDEO OUT

12

BATTERY HOLDER & FINAL ASSEMBLY



CONNECTING THE BATTERY HOLDER



PLACE 'AA' BATTERIES HERE!

Watch the polarity!
Att. à la polarité!

SCHEMATIC DIAGRAM

