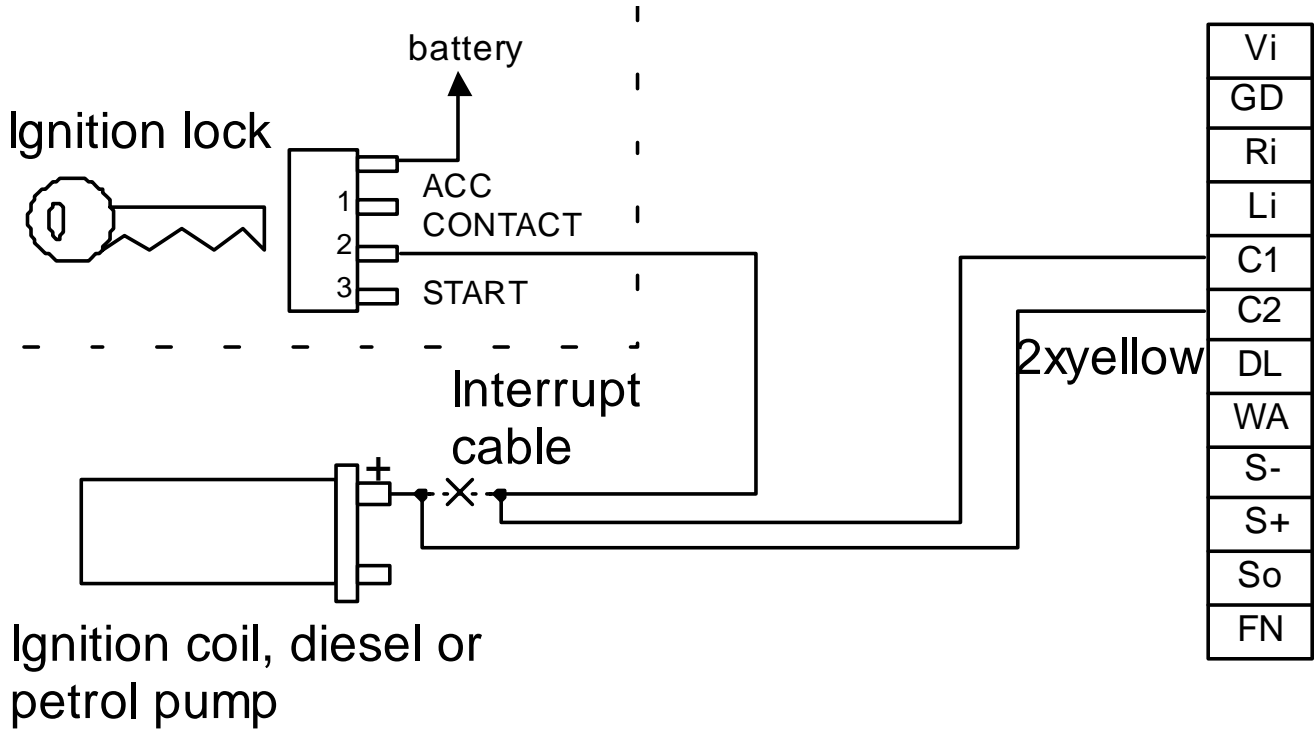




Remote controlled car alarm with connection of the starter interrupter

1. By interrupting the ignition or the fuel pump



2. By interrupting starter motor using the car relay

(CAR RELAY 1 x INVERTER 12VDC/30A FASTON)

