

Recordable Speaker MP3 Voice Player for Door Access Control System User's Manual V1.0 Model No.: FN-H865



Features

- ✧ Built-in a high quality MP3 player with great sound quality.
- ✧ Built-in 4MB flash memory as the storage device.
- ✧ Update audio file easily on computer through USB connection.
-The memory will be detected as a USB flash drive on computer.
- ✧ Equipped with a high quality class D amplifier.
- ✧ When the lock is open, it activates to play the pre-loaded audio file for once.
- ✧ Suitable to work with kinds of magnetic locks, electromagnetic locks and electric mortise locks.
- ✧ Adjustable sound volume through the blue potentiometer on the internal sound board.
- ✧ Clear sound and loud volume.
- ✧ Easy to wire and install (coming with a double-sided adhesive).

Technical Parameters

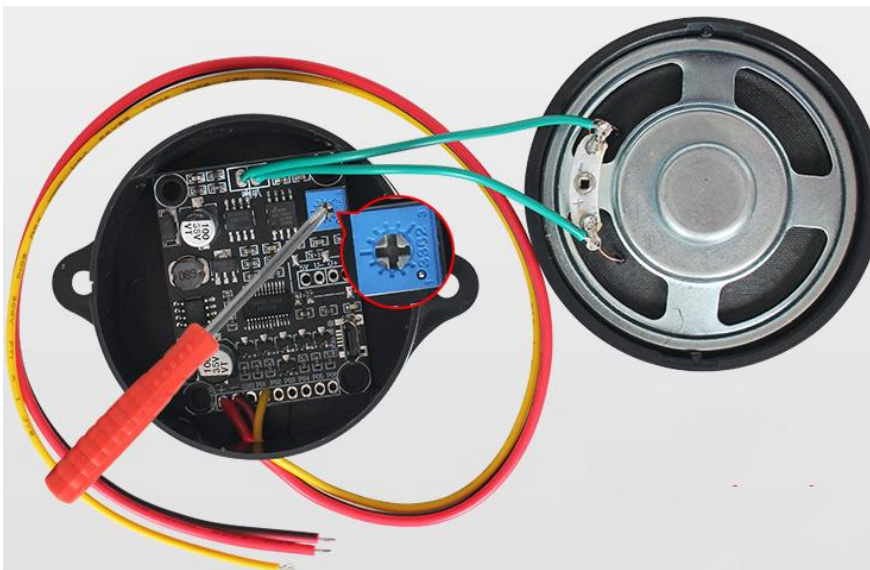
- ✧ Working voltage: 6V to 30V DC (12V normally)
- ✧ Working current: $\leq 1000\text{mA}$
- ✧ Power consumption: $\leq 3\text{W}$
- ✧ Flash memory size: 4MB
- ✧ Audio format: MP3 ($\leq 192\text{Kbps}$)
- ✧ Sound pressure level: $\leq 100\text{dB}$

Operation Guide for Sound Files Uploading

1). Before loading sound files onto the device, you need to take off the lid by hand easily as shown below . There is a concealed buckle on the two sides of the case.



2). Move aside the lid and the speaker unit and you will see it as shown below.



3. Connect the internal sound module to computer through a USB data cable as shown below. It will be detected as a USB flash drive on computer. Once the connection is successful, the LED indicator on the board will flash.

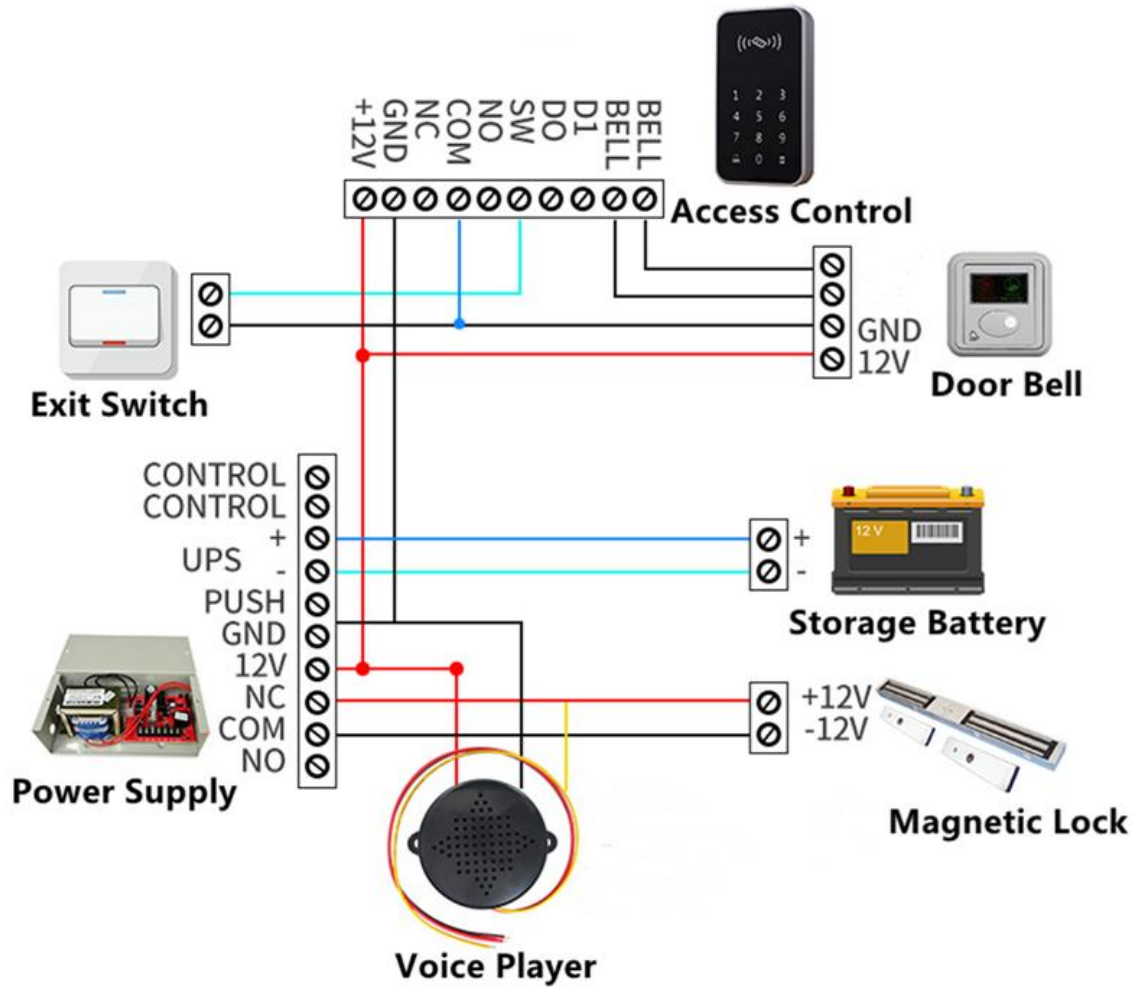


4). Delete the sound file pre-loaded at factory for testing purpose, and copy yours onto the flash memory of the player. There is a config file “Config.txt” saved on the memory. Please never delete it. Otherwise it will not work properly.



Note: It's fine whether you change the name of the MP3 file to “001” or not.

Wiring Diagram



Installation Methods

